

ZERO CLEARANCE (ZC)



The Windsor and Classic Arch ZC fronts have a built-in outer plate and can also be used as inserts.*

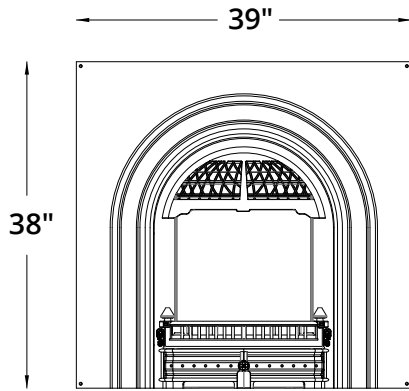


The President, Senator and Bolero ZC fronts include a framing plate (not shown).

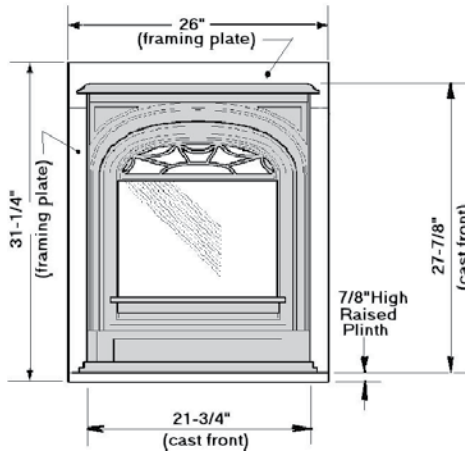


The Clearview and Ledgeview ZC fronts include a backing plate, while the Ledge has an optional backing plate.

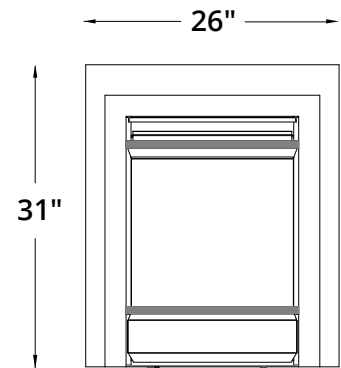
WINDSOR ARCH ZC



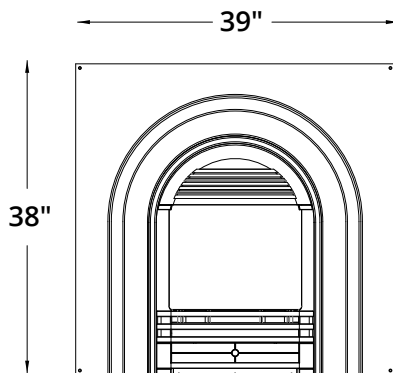
PRESIDENT ZC



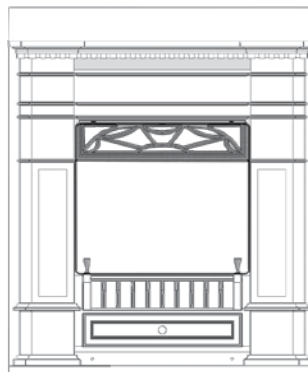
CLEARVIEW ZC



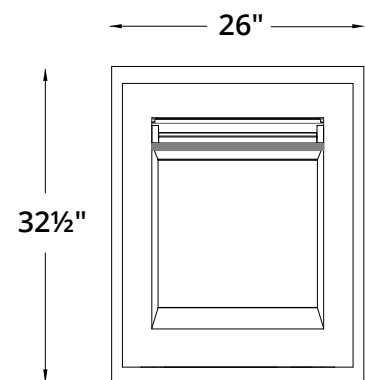
CLASSIC ARCH ZC



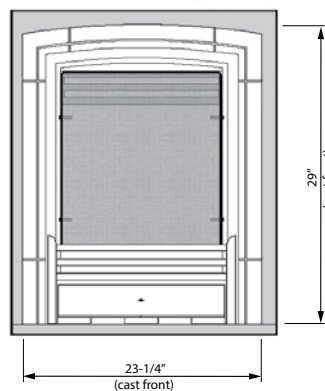
SENATOR



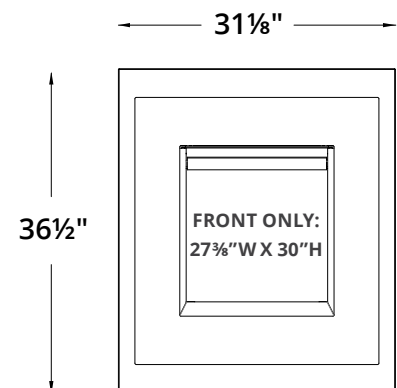
LEDGEVIEW



BOLERO



LEDGE ZC ONLY



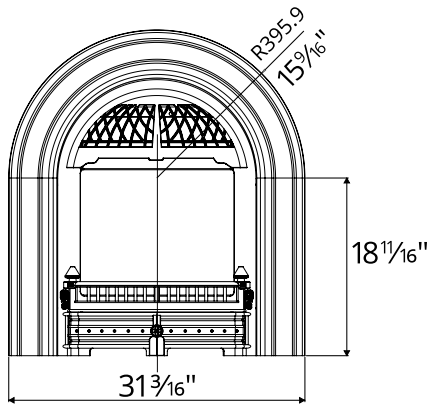
* To use as insert, please contact your local dealer for more information.

INSERTS (IN)



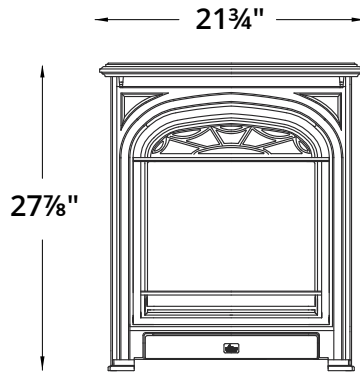
An optional arched backing plate is available for the Windsor Arch insert fronts. Inserts can be converted to ZC.**

WINDSOR ARCH



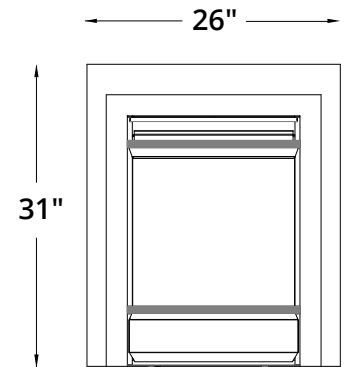
The President, Senator and Bolero insert fronts have recommended closure plates (not shown).

PRESIDENT



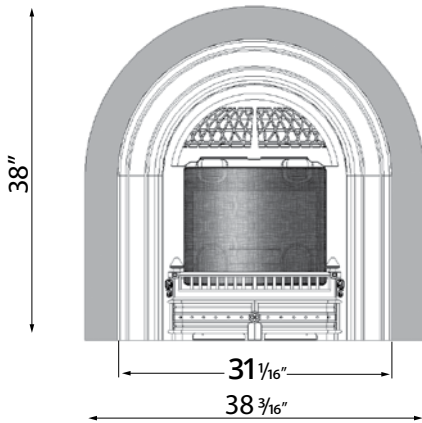
The Clearview and Ledgeview Insert fronts include backing plates. See below:

CLEARVIEW

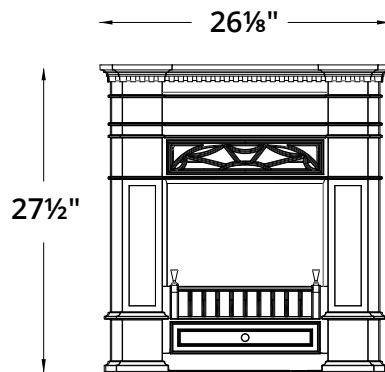


CLASSIC ARCH

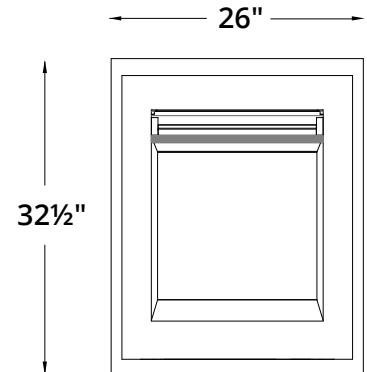
(optional arched backing plate shown)



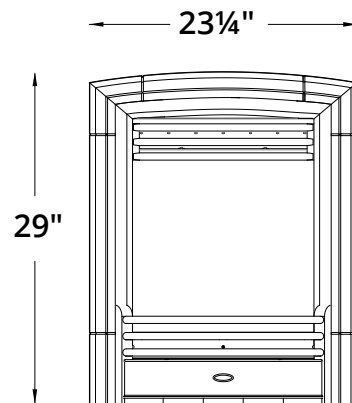
SENATOR



LEDGEVIEW



BOLERO



** To use as ZC, please contact your local dealer for more information about the 549ZCK conversion kit.