

# INSTALLATION INSTRUCTIONS WB(12,14)VCAK CHIMNEY AIR KIT

**FOR USE ON: WB(36,44,54,60)FB WOOD-BURNING FIREPLACES**

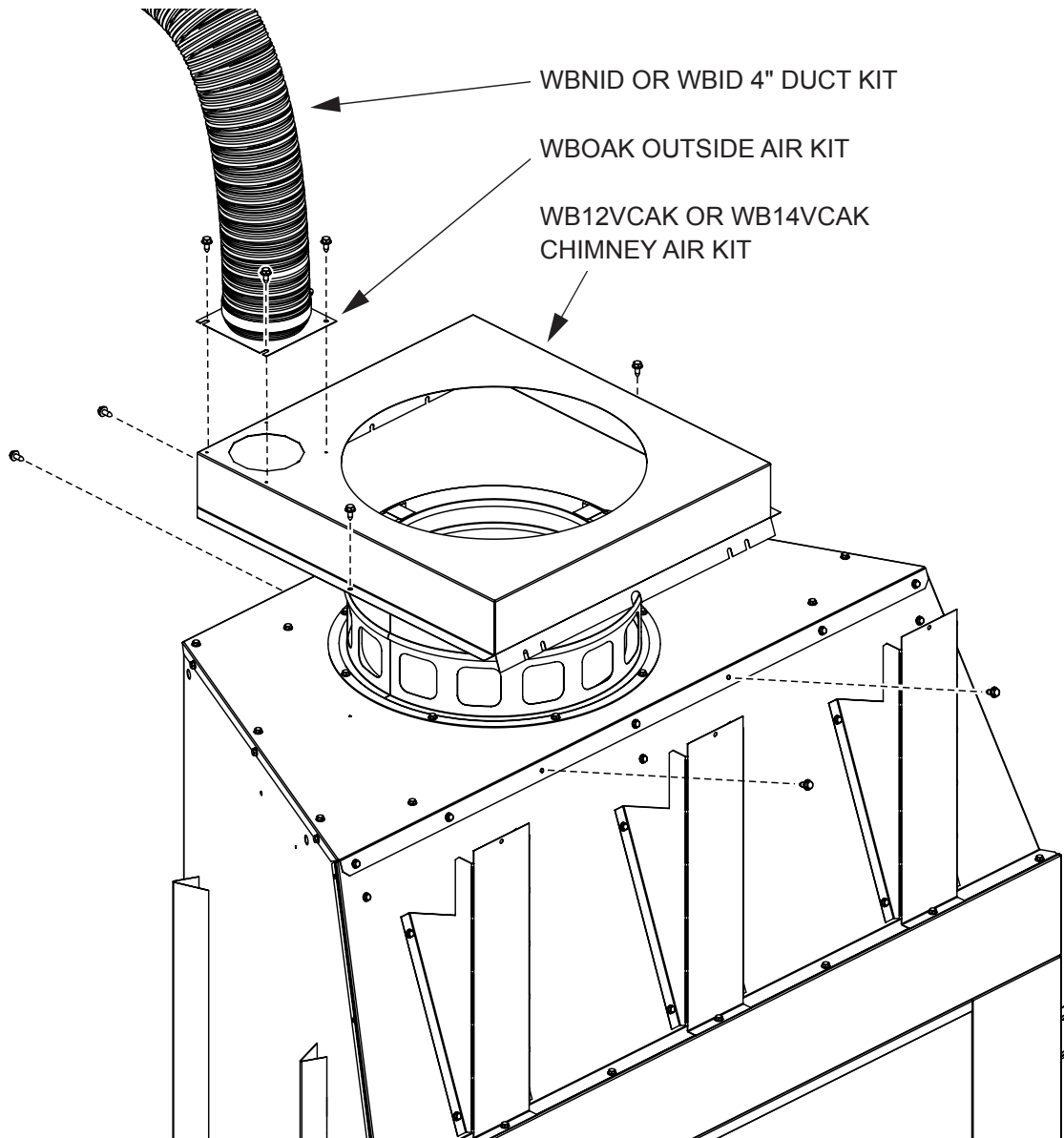
**ITEMS REQUIRED FOR INSTALLATION:**

- WBOAK Outside Air Kit
- WBNID or WBID 4" Duct Kit or Customer-Sourced 4" Flex Duct

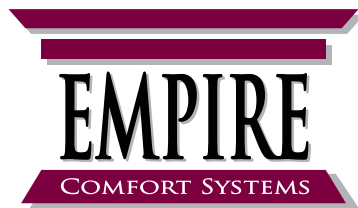
**INSTRUCTIONS:**

**NOTE:** The Chimney Air Kit must be installed prior to framing in the fireplace. For most installations, the Chimney Air Box will need to be attached to the Fireplace Top prior to the fireplace being set in its final location.

1. Remove the Stand-Offs from the Fireplace Top. Do not discard the screws.
2. Attach the Chimney Air Kit Box to the Fireplace Top as shown in **Figure 1** below, using six screws already on the fireplace.
3. Install the WBOAK Outside Air Kit to the Chimney Air Kit Box. Follow the instructions provided with WBOAK.
4. Reinstall screws from the removed Stand-Offs into exposed open holes.



**Figure 1**



SINCE 1932

[www.empirecomfort.com](http://www.empirecomfort.com)

**Empire Comfort Systems Inc.**  
**Belleville, IL**

If you have a general question  
about our products, please e-mail  
us at [info@empirecomfort.com](mailto:info@empirecomfort.com).

If you have a service or repair  
question, please contact your dealer.