

Portrait

ZERO CLEARANCE + INSERT SERIES



FROM CLASSIC TO CONTEMPORARY.



THE SCIENCE OF WARMTH™

We pioneered and continue to improve radiant heat technology that generates constant, comfortable warmth in your home.

ADJUSTABLE HEAT

Adjustable flame for constant, even warmth without having to cycle the fire on and off.

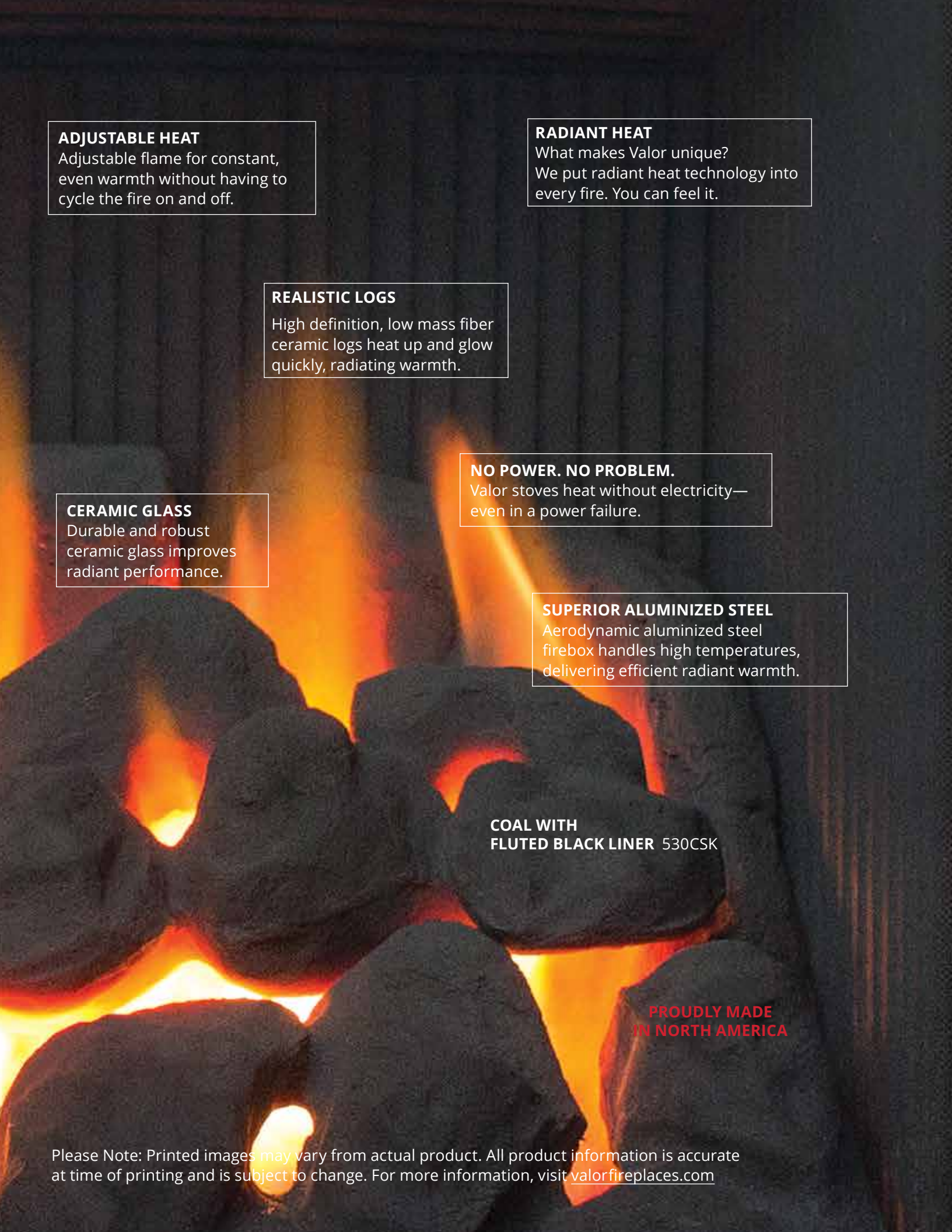
EFFICIENCY

Radiant zone heating is up to 25% more efficient than central forced air systems.

SAFETY

Our fires are put through rigorous safety testing in our in-house CSA approved lab.

COVER:
WINDSOR ARCH BLACK WITH FRAMING PLATE 539AFBV2
COAL WITH FLUTED BLACK LINER 530CSK
ZC CONVERSION KIT 549ZCK



ADJUSTABLE HEAT

Adjustable flame for constant, even warmth without having to cycle the fire on and off.

RADIANT HEAT

What makes Valor unique? We put radiant heat technology into every fire. You can feel it.

REALISTIC LOGS

High definition, low mass fiber ceramic logs heat up and glow quickly, radiating warmth.

CERAMIC GLASS

Durable and robust ceramic glass improves radiant performance.

NO POWER. NO PROBLEM.

Valor stoves heat without electricity—even in a power failure.

SUPERIOR ALUMINIZED STEEL

Aerodynamic aluminized steel firebox handles high temperatures, delivering efficient radiant warmth.

**COAL WITH
FLUTED BLACK LINER 530CSK**

**PROUDLY MADE
IN NORTH AMERICA**

Please Note: Printed images may vary from actual product. All product information is accurate at time of printing and is subject to change. For more information, visit valorfireplaces.com



**CLEARVIEW VINTAGE IRON +
BACKING PLATE 545CFVZC
DRIFTWOOD 530DWK
REFLECTIVE GLASS LINER 580RGL**

FIRE BED + LINERS

We designed these expertly crafted logs, rocks and coals as realistic-looking as possible, and engineered them to harness radiant heat from the flames and glowing embers.

A reversible liner—Red Brick or Fluted Black—is included with the Traditional logs and

Coal, while the Driftwood and Rocks feature a Fluted Black liner. The optional Reflective Glass liner looks great with any of the fire beds.

Visit your local Valor dealer to see a fire; or for a video go to valorfireplaces.com

TRADITIONAL LOGS + RED BRICK





**DRIFTWOOD +
OPTIONAL REFLECTIVE GLASS**



**ROCKS +
OPTIONAL REFLECTIVE GLASS**



COAL + FLUTED BLACK LINER



SMALL OR LARGE RENOVATION?

Except for the Ledge, all our Portrait fireplaces are available as insert fireplaces for existing masonry; or as zero clearance fireplaces, allowing you to start fresh without an existing fireplace.



CLASSIC ARCH WITH BACKING PLATE 550CPAv2
COAL + BLACK FLUTED LINER 530CSK

ARCHED FRONTS

Arched fronts never go out of style. The detailed design set in durable cast iron with either a chrome or powder-coated black finish creates a feature in any room—standing the test of time in craftsmanship and design.

CLASSIC ARCH

The Art Deco style of Classic Arch features brushed nickel highlights over a black finish. The Classic Arch's square cast iron back plate (pictured) provides a seamless transition to your surround.

BRUSHED NICKEL





WINDSOR ARCH WITH BACKING PLATE 539AFPV2
COAL + BLACK FLUTED LINER 530CSK

CHROME HIGHLIGHTS



BLACK CAST



WINDSOR ARCH

The Victorian castings features a black finish—with or without chrome highlights.

A square **outer plate** is part of the zero clearance model (see right). An optional arched backing plate is available for arch inserts. Ask your Valor dealer for details.



**PRESIDENT 536CXBI
BACKING PLATE 582CPB
TRADITIONAL LOGS +
RED BRICK REVERSIBLE LINER 530LSK**

TRADITIONAL FRONTS

These modest cast iron fronts look great in traditional and contemporary settings.

They include an optional closure plate for ZCs or a required framing plate for inserts. The plates provide an attractive transition to existing stone and mantel work—a welcomed feature when preserving the heritage look of your home.



◀ **PRESIDENT**

Beautiful attention to detail is apparent as flames reflect off the cast contours and immaculate detailing, radiating warmth.

Also available as a freestanding stove.



◀ **BOLERO**

The Bolero art deco feel offers a unique look that adapts to your interior.

Cast surfaces are polished smooth, then plated for a stunning finish.



◀ **SENATOR**

Highlighting the fine art of quality cast iron design, the Senator fits comfortably in both well appointed and understated settings.

A wide range of diverse venting solutions unique to the Portrait Series make home renovations easier.



LEDGEVIEW PEWTER + BACKING PLATE 546LFPWZC
DRIFTWOOD 530DWK
REFLECTIVE GLASS LINER 580RGL

MODERN FRONTS

The small footprint of these modern fronts makes them ideal for intimate home spaces.

Powder-coated, Portrait fronts are made to last.



LEDGEVIEW

Minimal impact on actual floor space, the slim design sits above the hearth, ideal for kitchens, dens, lofts and other small spaces.

Shown in Pewter (L) and Black (R)



**BUILD YOUR
OWN PORTRAIT
ON OUR DESIGN CENTER:**



CLEARVIEW

Popular front designed to sit on the hearth. Available in Vintage Iron with Black backing plate.



LEDGE

Optional backing plate available. Zero Clearance only. Available in Black.



LEDGEVIEW BLACK INSERT +
BACKING PLATE 546LFN
ROCKS 530RSK
REFLECTIVE GLASS LINER 580RGL

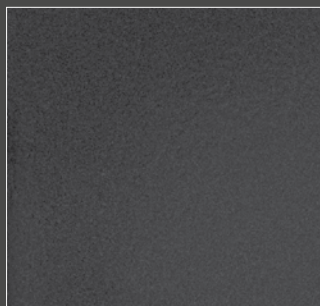


FINISHES

All our rich, durable finishes are powder-coated or plated for a longlasting finish.

If available, ask your dealer to see an example in person as colors may appear different in various lights. To see examples online, go to valorfireplaces.com/media

PEWTER



VINTAGE IRON





CHROME HIGHLIGHTS



CAST IRON



BRUSHED NICKEL



POLISHED CAST IRON





SENATOR 563SCB
COAL + RED BRICK/FLUTED BLACK
REVERSIBLE LINER 530CSK

REMOTE CONTROL

VALOR REMOTE—STANDARD

Every Valor includes a remote. Your remote lets you select, adjust or program your desired temperature—the fire automatically adjusts to maintain the temperature of the room. Your remote even allows you to turn your pilot light on or off from the comfort of your sofa.



VALOR WALL SWITCH—OPTIONAL

Can't find your remote? The optional wall switch, 1265WSK, allows you to do basic functions, such as turn the fire on and off, and adjust the flames up and down.



Find out more at valorfireplaces.com/remotes



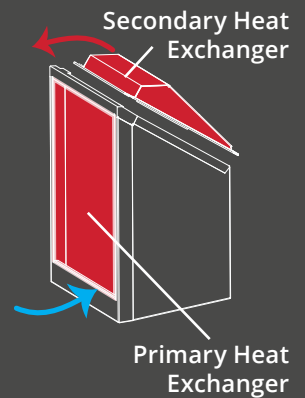
ENERGY EFFICIENCY

SECONDARY HEAT EXCHANGER

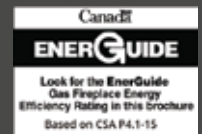
The built-in Secondary Heat Exchanger naturally improves convective heat—removing the need for a fan. Your fire will heat up fast for immediate comfort—and with no need for electricity, you'll save money.

To find out more, visit valorfireplaces.com/efficiency

BTU/HR MODEL	FUEL	MAX. INPUT	MIN. INPUT	MAX. OUTPUT*	EnerGuide*
530IN	NG	20,500	6,500	15,117	70.2%
530IP	LPG	19,000	12,500	14,476	70%
530INI	NG	20,500	6,500	13,223	64%
530IPI	LPG	19,000	12,500	13,100	66%



* EnerGuide Ratings and Outputs have been determined without a fan/blower, using the CSA P4.1-15 test method. Certified to ANSI Z21.88 / CSA 2.33 Vented Gas Fireplace Heater American National Standard. CGA - 2.17-91 Gas Fired Appliances for use at High Altitudes



ZERO CLEARANCE (ZC)



The Windsor and Classic Arch ZC fronts have a built-in outer plate and can also be used as inserts.*

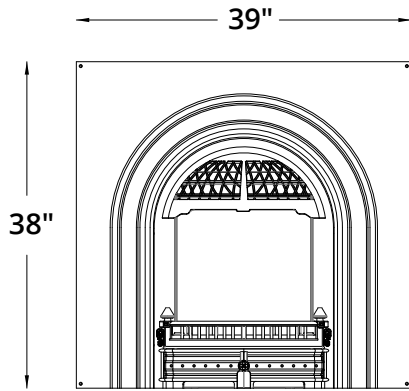


The President, Senator and Bolero ZC fronts include a framing plate (not shown).

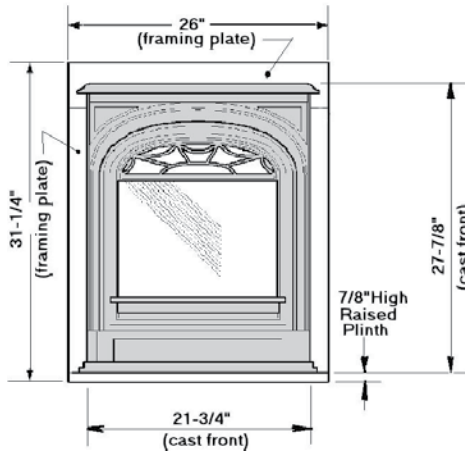


The Clearview and Ledgeview ZC fronts include a backing plate, while the Ledge has an optional backing plate.

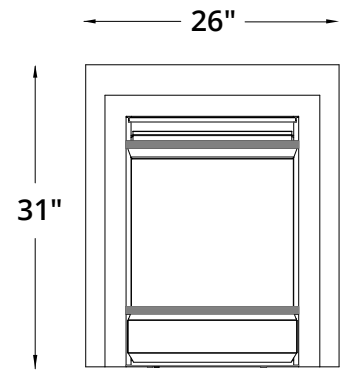
WINDSOR ARCH ZC



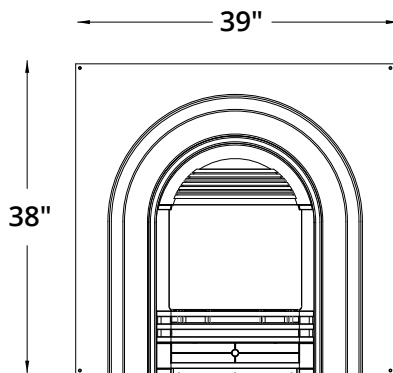
PRESIDENT ZC



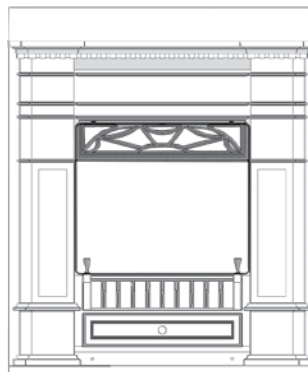
CLEARVIEW ZC



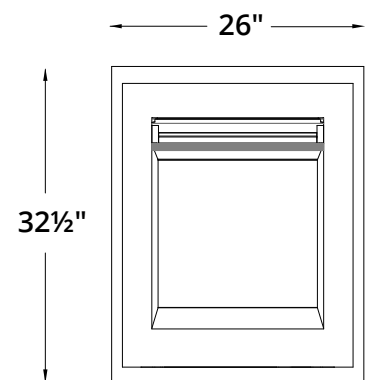
CLASSIC ARCH ZC



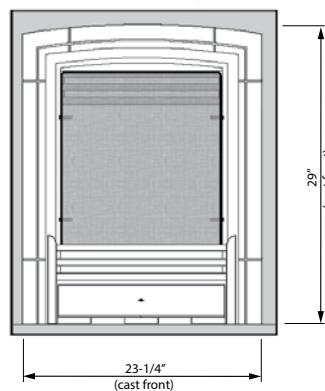
SENATOR



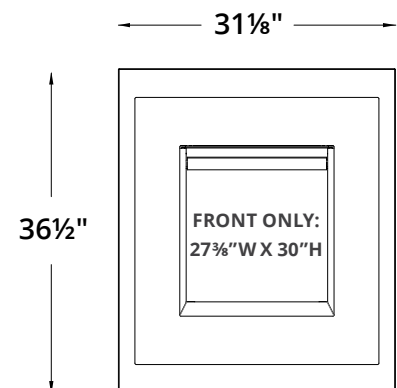
LEDGEVIEW



BOLERO



LEDGE ZC ONLY



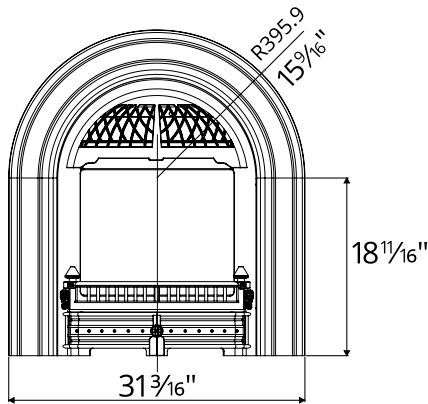
* To use as insert, please contact your local dealer for more information.

INSERTS (IN)



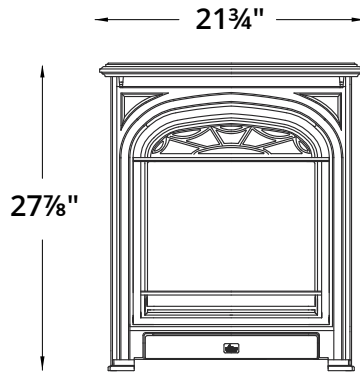
An optional arched backing plate is available for the Windsor Arch insert fronts. Inserts can be converted to ZC.**

WINDSOR ARCH



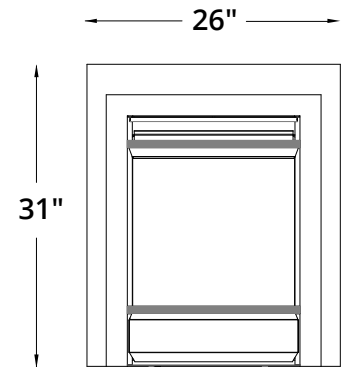
The President, Senator and Bolero insert fronts have recommended closure plates (not shown).

PRESIDENT



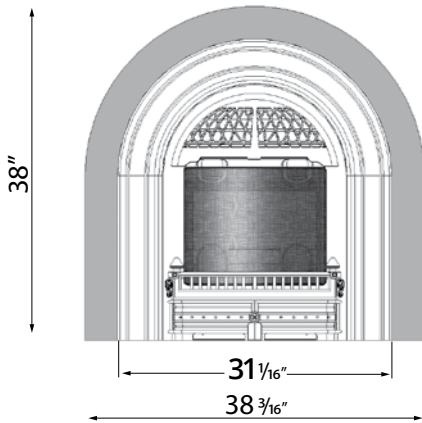
The Clearview and Ledgeview Insert fronts include backing plates. See below:

CLEARVIEW

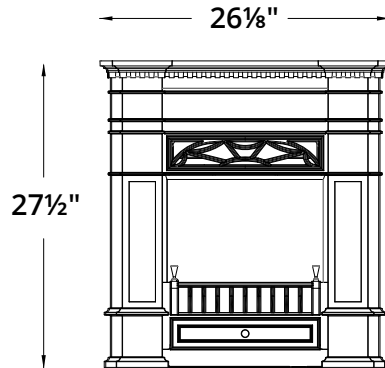


CLASSIC ARCH

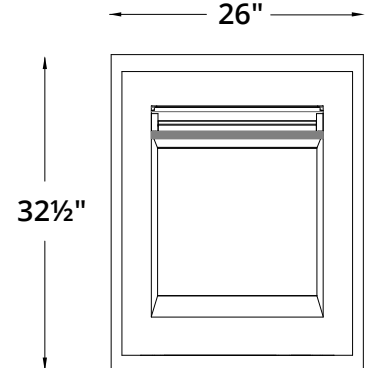
(optional arched backing plate shown)



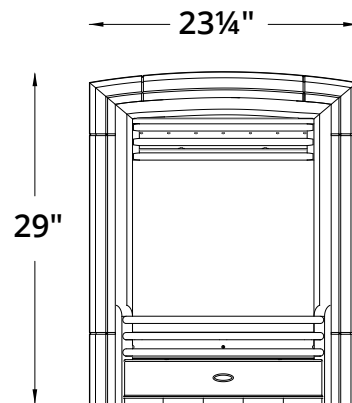
SENATOR



LEDGEVIEW



BOLERO



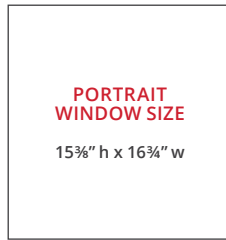
** To use as ZC, please contact your local dealer for more information about the 549ZCK conversion kit.

DIMENSIONS

ZC FRAMING

	H	W	D
President	38"	26¼"	11"
Senator	38"	26¼"	11"
Bolero	38"	26¼"	12"
Windsor Arch	37"	26¼"	13⅞"
Classic Arch	37"	26¼"	13⅞"
Clearview	32"	22½"	12¾"
Ledgeview*	32"	22½"	12¾"
Ledge	30¼"	22½"	12¾"

Note: Allow for more depth if using a rear vent elbow.



INSERT

MINIMUM CAVITY

	W	D
President	25¼"	9"
Senator	25¼"	9"
Bolero	25¼"	10"
Windsor Arch	25¼"	11½"
Classic Arch	25¼"	11½"
Clearview	26½"	11⅜"
Ledgeview*	26½"	11⅜"

* A Ledgeview front requires that the engine sit a minimum 1½" above the hearth.

Always refer to the manual for complete installation instructions:



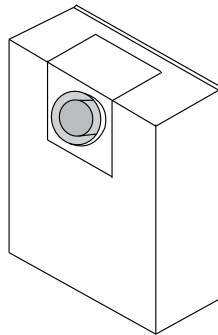
INSTALLATION MANUALS



ENGINE OPTIONS

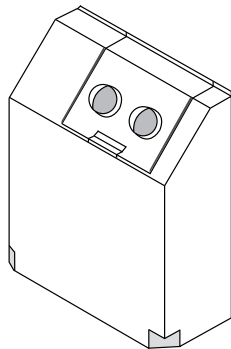
Zero Clearance 530IN/530IP

- Coaxial venting ideal for built-in ZC applications.
- Slim engine depth.
- Direct vent coaxial system convertible to colinear for insert applications.
- Engine can be either top or rear vented.
- Improved window latch for ease of service.



Insert 530INI/530IPI

- Colinear vent collar plate ideal for inserting into existing solid fuel fireplaces.
- Sloped fire box venting and slim design for fitting difficult chimney cavities.
- Adaptable direct vent colinear flex venting.
- Removable sloped venting collar for ease of install.
- Improved window latch for ease of service.

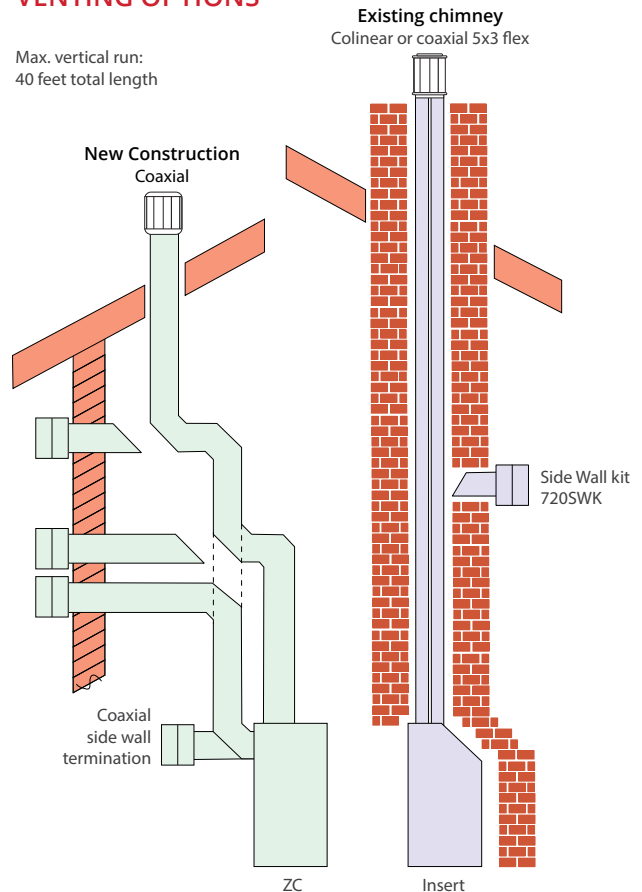


ZC

Insert

VENTING OPTIONS

Max. vertical run:
40 feet total length



COMPONENTS

DIRECT VENT ENGINES

	<u>ZC</u>	<u>INSERT</u>
Natural Gas	530IN	530INI
Propane	530IP	530IPI

1 FUEL BEDS WITH LINERS

Coal + Red Brick/ Black Fluted reversible liner	530CSK	530CSK
Traditional Logs + Red Brick/Black Fluted reversible liner	530LSK	530LSK
Rocks + Black Fluted liner	530RSK	530RSK
Driftwood + Black Fluted liner	530DWK	530DWK

2 FRONT + BACKING PLATES

All ZC fronts include an outer or framing plate except Ledge, which offers an optional ZC backing plate.

<u>FRONT</u>	<u>ZC</u>	<u>INSERT</u>	<u>INSERT BACKING PLATES</u>
Windsor Arch Black ZC	539AFBv2	ZC OK as insert.	
Windsor Arch Chrome ZC	539AFPv2		
Classic Arch Brushed Nickel ZC	550CPAv2		
Windsor Arch Black Insert	<i>Insert OK as ZC*</i>	549AFBv2*	+ optional Arched Plate 549APB
Windsor Arch Chrome Insert		549AFPv2*	
Clearview Vintage Iron	545CFVZC	545CFV	+ included backing plate; optional 583CPB
Ledgeview Pewter	546LFPWZC	546LFPW	+ included backing plate
Ledgeview Black	546LFBZC	546LFB	
President	536CXB	536CXBI	+ required 3336CP, 582CPB or 583CPB
Senator	563SCB	ZC OK as insert. See manual.	+ required 582CPB or 583CPB
Bolero	541BPC		
Ledge Black	569LFB		

*To convert 549 insert to ZC, see manual for 549ZCK conversion kit.

3 OPTIONAL

Ledge ZC backing plate	570FPB
Reflective Glass liner	580RGL
Traditional Black Cast Iron fret	545TFB
Firebox Grille panel (except with Coals)	567FGP
1 Hour Shut Down Handset	GV60BRK
Non-Thermostat Handset	GV60NTK
Wall Switch	1265WSK
Remote Battery and Wall Switch	RBWSK
Outdoor Conversion Kit	GV60CKO



⚠ WARNING

This product can expose you to chemicals including Benzene, which is known to the State of California to cause cancer and birth defects or other reproductive harm.

For more information go to www.P65Warnings.ca.gov

Note: Natural gas, in its original state, contains Benzene.



BOLERO + FRAMING PLATE 541BPC
TRADITIONAL LOGS +
RED BRICK REVERSIBLE LINER 530LSK

BRPORT24E MAR

valor