

LX

MULTI-SIDED GAS FIREPLACES



Radiant warmth
from every angle

valor[®]
FIREPLACES

Why Choose

Feel the heat.

All our gas fireplace radiate heat. Like feeling the sun on your skin. The best kind of heat there is.

Works quietly.

We designed our gas fireplaces to move the heated air via natural convection at the rate of 120 cubic foot per minute—no need for a noisy blower.

Heater-rated

We're rated with space heaters so we put Radiant Heat Technology into every fire. You can feel it.

Stainless Steel burner

Our precision stainless steel burners don't rust, and create an enhanced flame and ember glow that produces radiant heat.

Efficiency

Valor fireplaces are heater-rated. Our Radiant Zone Heating is up to 25% more efficient than central forced air systems.

LX ON COVER:
LX2 2-SIDED 2200LK
BIRCH 2100BLK
REFLECTIVE LINER 2200RGL + 2200RGP

A Valor?

Improving heat

Our exclusive *Secondary Heat Exchanger* and our aerodynamic firebox naturally improve convective heat—without a fan.

Ceramic glass window

Valor's durable and robust ceramic glass window improves radiant performance by absorbing and distributing radiant heat.

No power?

No problem. All Valor gas fireplaces run on 4 AA batteries as the primary source of power—not as back-up power like other brands. And you'll save money on your electrical bill.

Outdoor-friendly.

All Valor gas fireplaces are rated for outdoors under a covered patio and use quality materials that exceed the requirements for outdoor use.

Logs provide heat.

High definition, low mass fiber ceramic logs heat up and glow quickly. We harness the radiating heat from our logs, just like real logs.

Built to last.

Our aluminized steel fireboxes handle high temperatures, delivering efficient radiant warmth. Our baked-on powder-coated paint offers a better texture and a more durable finish.

Safety

We put our fires through rigorous safety testing in our in-house CSA approved lab. We provide a screen with every fireplace to keep you and your loved ones safe.

Design your own.

Visit the Valor Fireplace Design Center to design your very own Valor Fireplace today.



To find out more, visit valorfireplaces.com/why-valor

Models



LX2 2-SIDED 2200FBL + 2200FBP
BIRCH 2100BLK
FLUTED BLACK LINER 2200FBL + 2200FBP

LX2 3-SIDED 45½"

Creates a strong central point in a living or great room.
Everyone will enjoy the 180° viewing area.

Select from three multi-sided styles of this designer series. The two and three-sided fireplaces are efficient heaters that produce a luxurious amount of radiant heat, paired with the convective heat you'll enjoy with the HeatShift system every LX employs.

Consider the size and shape of your spaces when choosing your fireplace. The following measurements give you an idea of the viewable area when installed.

To find out more, click the QR codes above or visit valorfireplaces.com





LX2 CORNER L/R 45½"

Great for asymmetrical spaces: wraps around corners and offers transition between rooms.



LX1 3-SIDED PIER 11⅞"

Fits smaller rooms and defines open spaces, making two spaces out of one.



Fire beds



LX2 3-SIDED 2200KN
BIRCH 1700BLK
FLUTED BLACK LINER 2200FBL
HEATSHIFT™ 38" FINISHING FRAME LDK5 (NOT SHOWN)

Select a fire bed that suits your decor and personal style. Consider how the logs and other fire beds appear when the fire is on and when it's off—for example, in the summer.

DRIFTWOOD



BIRCH LOGS



SPLITWOOD LX2 ONLY





ROCK AND SHALE



MURANO GLASS



**DESIGN YOUR
FIREPLACE IN OUR
DESIGN CENTER:**



Liners



Selecting a liner is an important choice, particularly in the LX2 fireplaces where the liner can feature prominently. Visit a Valor dealer to see a sample in person or design your own at design.valorfireplaces.com





LX2 CORNER RIGHT 2200RK
ROCK AND SHALE 1714RSS
REFLECTIVE GLASS LINER 2200RGL + 2200RGP
HEATSHIFT™ (NOT SHOWN)

FLUTED BLACK



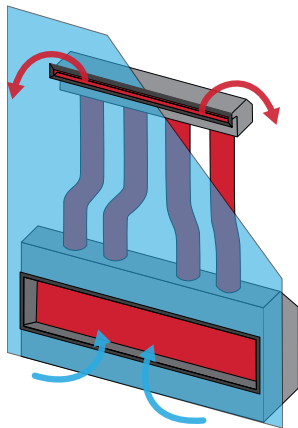
REFLECTIVE BLACK GLASS



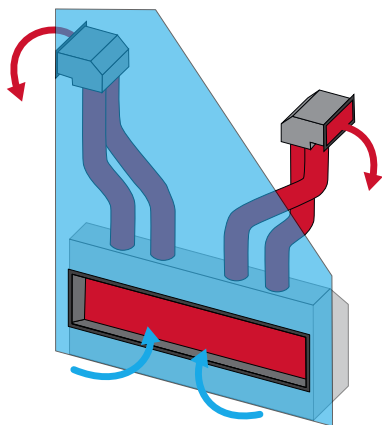
HeatShift

LX2 CORNER LEFT 2200LK
BIRCH 2100BLK
REFLECTIVE GLASS LINER 2200RGL + 2200RGP
HEATSHIFT™ (NOT SHOWN)

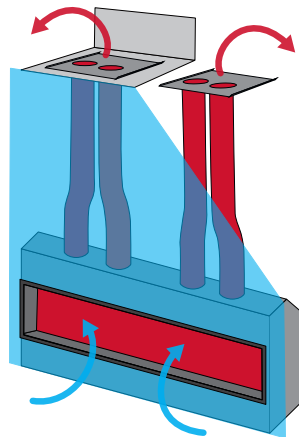
FRONT,
30", 38" OR 48"



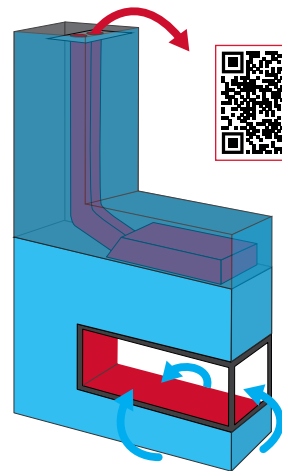
SIDE
GRILLES



TOP VALANCE,
HIDDEN



PONY WALL,
LX1 ONLY



KEEPS WALL COOLER

Pioneered by Valor, our unique HeatShift System naturally circulates up to 125 cubic feet of convective heat per minute through hidden ducts and back into the room—avoiding surface areas above the fireplace.

IMPROVES PERFORMANCE

Harnessing convective warmth, up to 60% of fireplace heat rises

and flows through HeatShift and back into the room. The remaining heat radiates from the fireplace, keeping you warm.

DESIGN FLEXIBILITY

Run standard finishing materials right up to the fireplace surround, including drywall, wood, tile and stone. Install mantels lower than usual at a one-to-one ratio of depth to height from the fireplace surround.

NO ELECTRICITY REQUIRED

HeatShift circulates heat naturally using gravity and Valor product ingenuity—no need for a fan or electricity. No power—no problem.

CONSTRUCTION MADE EASY

Valor fully ducts HeatShift for clean, safe air quality, meeting North American building code standards.



HeatSplit

MULTI-ZONE HEATING

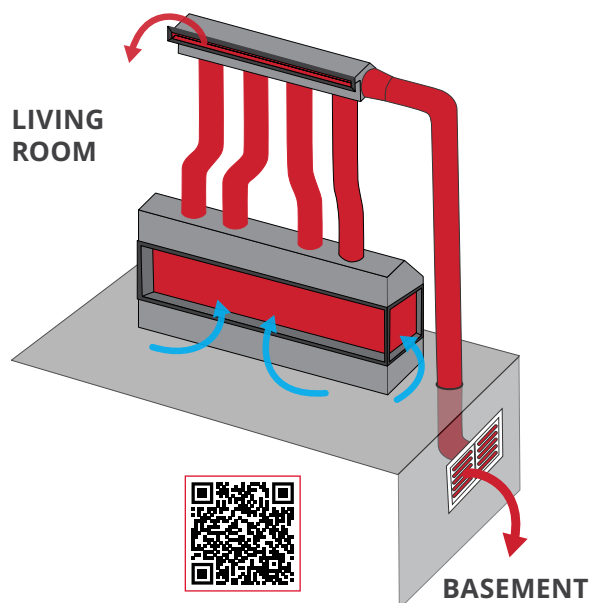
Looking to heat other areas in your home?

Valor's HeatSplit (1270RBK) redirects HeatShift heat to other areas of your home, such as bedrooms, hallways or utility rooms.

Multi-zone heating targets specific areas that you frequent the most—where you want it, when you want.

The HeatSplit fan connects directly to both 38" and 48" front wall plenums, moving heat to separate spaces for multi-zone heat management in the home.

Zone heating with Valor HeatSplit delivers the perfect blend of radiant and convective warmth while being more economical and efficient.



Remote + App

Accurately knows the current ambient temperature of your room.

Child Proof your remote for safety and ease.

Set the temperature for specific times of the day.

Set the timer to turn the fireplace off up to 9 hours ahead.

Turn your fireplace lights on and off.

Program your fireplace to turn on and off when you want at the temperature you want.



Download on the
App Store

GET IT ON
Google Play

VALOR 10 REMOTE CONTROL

Standard throughout the LX Series, Valor's interactive remote control has up-to-the-moment information on the state of your fireplace, such as room temperature, and other customizable settings.

VALOR 10 APP

Want to control your fireplace with your smart device? The remote pairs with the Valor 10 App so you can control your LX fireplace with your smartphone.

Framing

LX2 STEEL FRAMING KIT



LX1 STEEL FRAMING KIT



STEEL FRAMING KIT

When you decide to install your custom LX model, consider our optional steel framing kit. Easy to set up, the kits take the guesswork out of framing your new fireplace—builders, architects and designers appreciate them too.

Efficiency



LX2 CORNER LEFT 2200LK (SAFETY SCREEN NOT SHOWN)
 DRIFTWOOD 1705DWK
 REFLECTIVE GLASS LINER 2200RGL + 2200RGP
 HEATSHIFT™ 38" FINISHING FRAME LDK5 (NOT SHOWN)

RATINGS

At Valor we use recognized Canadian and US government testing methods to determine our energy efficiencies, and ensure our products perform in your home as rated.

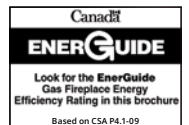
EFFICIENCY

Radiant heat and zone heating create up to 30% more efficient than central forced air systems.

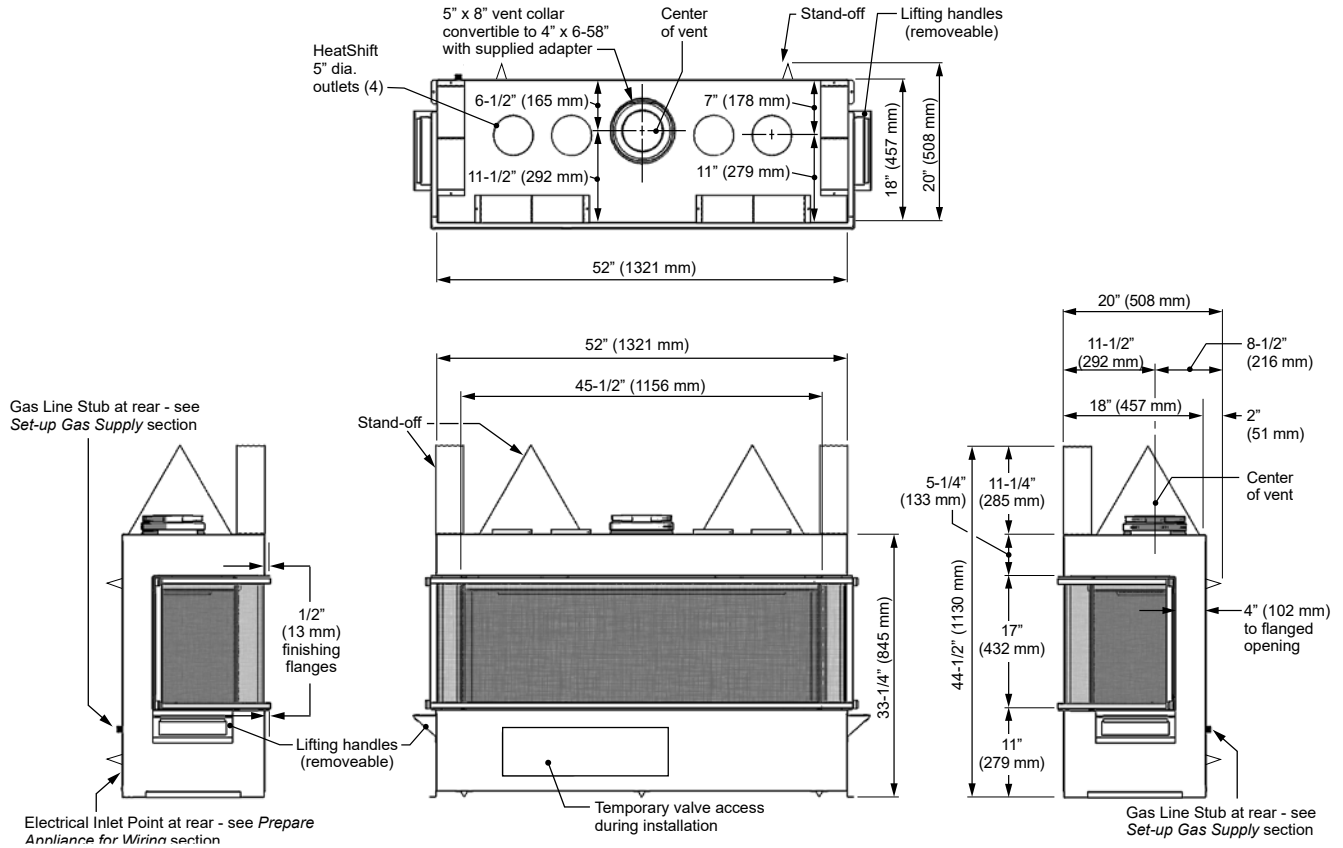
MODEL	MAX. INPUT	MIN. INPUT	MAX. OUTPUT*	ENER GUIDE*
2200NG	36,000	19,000	26,028	67.4%
2200LP	36,000	21,000	26,028	67.4%
2100NG/LP	25,000	14,000	17,573	66.6%

Certified to ANSI 21.88/ CSA 2.33 Vented Gas Fireplace Heater American National Standard CGA - 2.17-91 Gas Fired Appliances for use at high altitudes.

* EnerGuide Ratings and Outputs have been determined without a fan/blower, using the CSA P4.1-15 test method.



LX2 3-SIDED DIMENSIONS



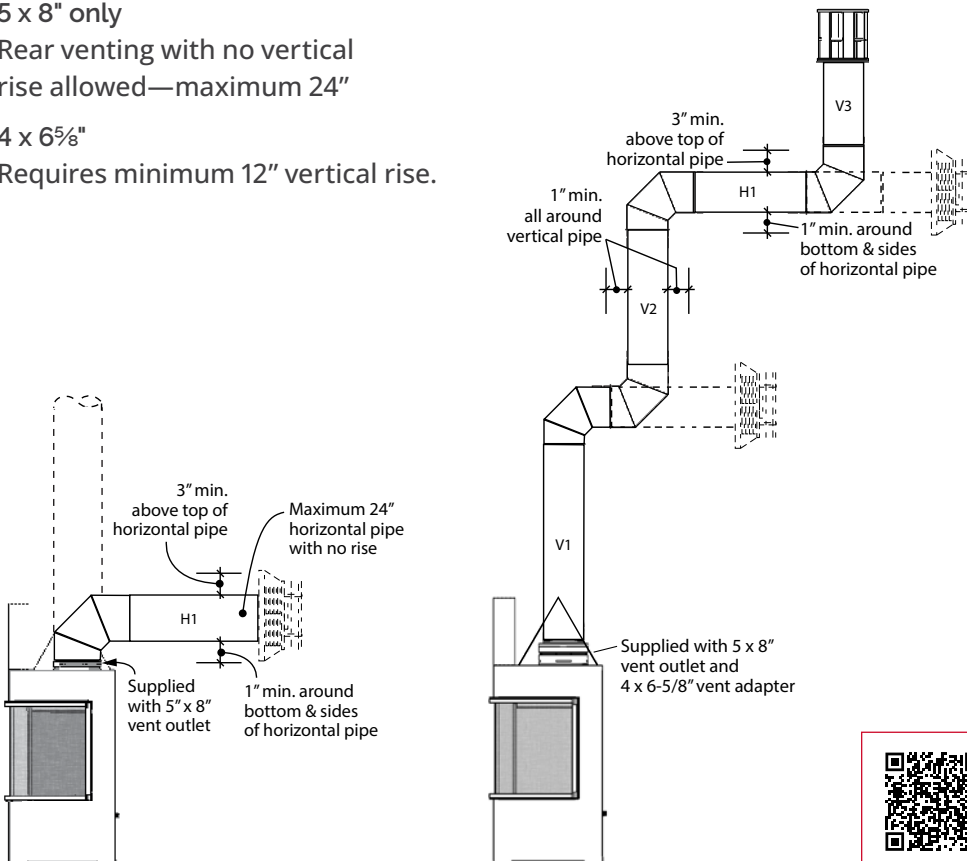
VENTING

5 x 8" only

Rear venting with no vertical rise allowed—maximum 24"

4 x 6^{5/8}"

Requires minimum 12" vertical rise.



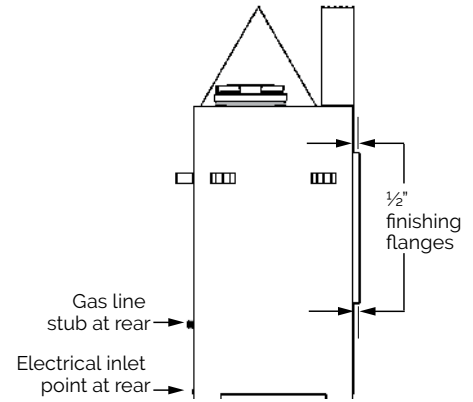
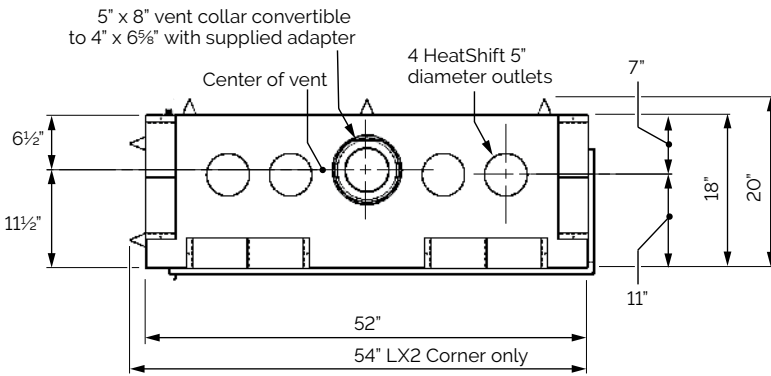
COMBUSTIBLE FRAMING

H	W	D
44 ^{1/2} "	54" max	20" min

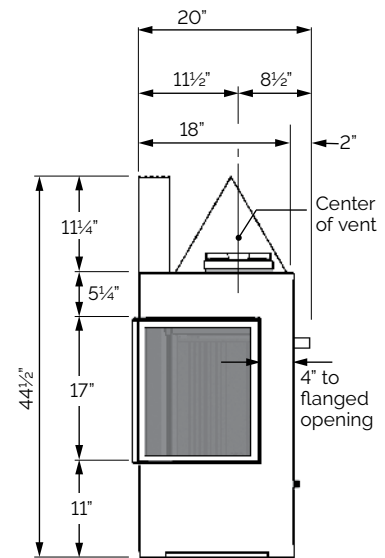
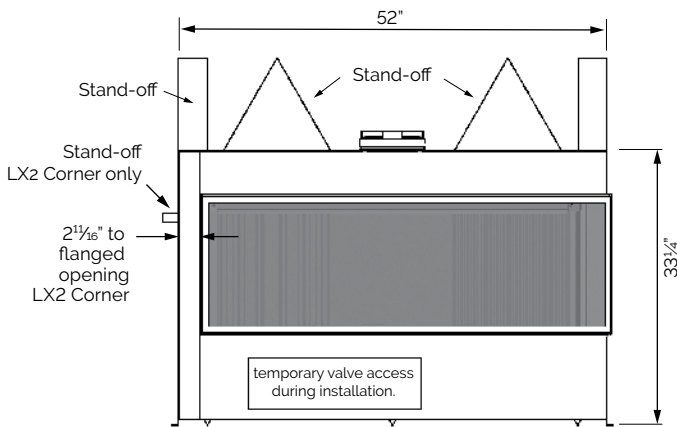


ALWAYS REFER TO THE MANUAL FOR COMPLETE INSTALLATION INSTRUCTIONS.

LX2 CORNER DIMENSIONS



**LX2 CORNER
RIGHT
SHOWN. MIRROR
IMAGE FOR
CORNER LEFT.**



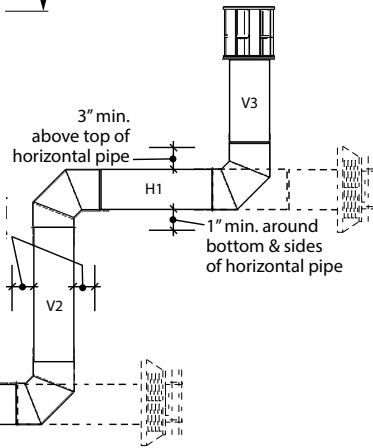
VENTING

5 x 8" only

Rear venting with no vertical rise allowed—maximum 24"

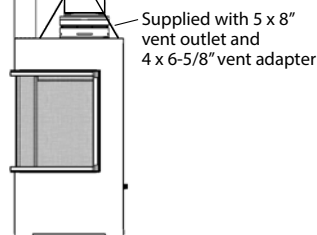
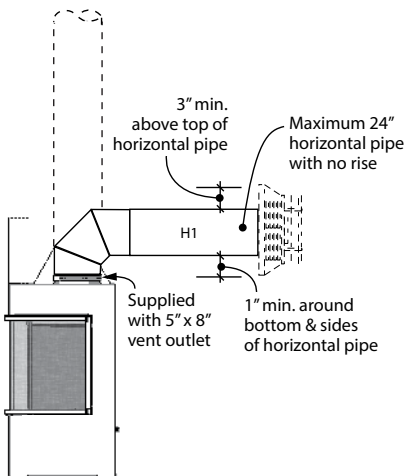
4 x 6 $\frac{5}{8}$ "

Requires minimum 12" vertical rise.



COMBUSTIBLE FRAMING

H	W	D
44 $\frac{1}{2}$ "	54" max	20" min

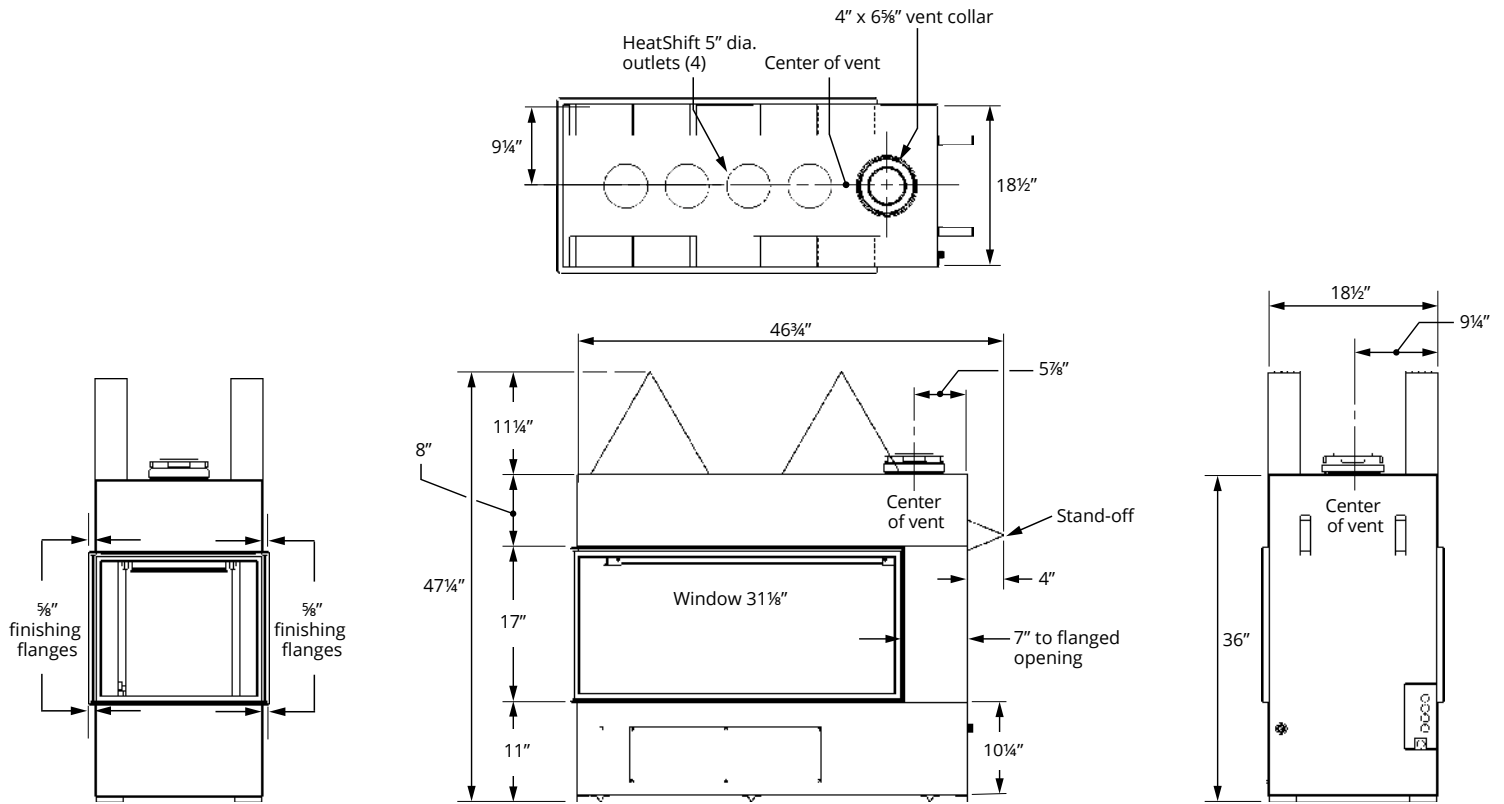


**ALWAYS REFER TO THE
MANUAL FOR COMPLETE
INSTALLATION INSTRUCTIONS.**



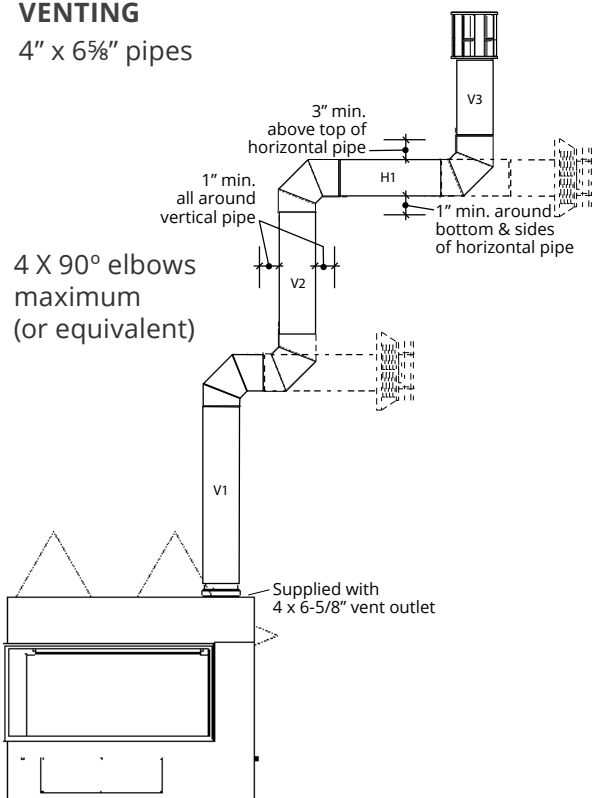
LX2 CORNER RIGHT 2200RK
SPLITWOOD 1700SWK
REFLECTIVE GLASS LINER 2200RGL + 220RGP
HEATSHIFT™ SIDE MOUNTED GRILLES LDK3

LX1 DIMENSIONS



VENTING

4" x 6 5/8" pipes





**ALWAYS REFER TO THE
MANUAL FOR COMPLETE
INSTALLATION INSTRUCTIONS.**

LX COMPONENTS

DIRECT VENT ENGINES	LX2 3-SIDED	LX2 CORNER LEFT	LX2 CORNER RIGHT	LX1 PIER
Natural Gas	2200KN	2200LKN	2200RKN	2100PKN
Propane	2200KP	2200LKP	2200RKP	2100PKP

FUEL BEDS				
Birch logs	2100BLK	✓	✓	✓
Driftwood	1705DWK	✓	✓	2100DWK
Rock and Shale	1714RSS	✓	✓	2100RSS
Murano Glass	2200DGM	✓	✓	2100DGM
Splitwood	1700SWK	✓	✓	✓

LINERS				
Fluted Black	2200FBL	2200FBL + 2200FBP	2200FBP	
Reflective Glass	2200RGL	2200RGL + 2200RGP	2100RGP	

HEATSHIFT™ Finishing options. See manuals for complete list of parts.

Front mounted 48" frame and plenum	LDK1 + LDK2	✓	✓	✓	
Front mounted 38" frame and plenum	LDK4 + LDK5	✓	✓	✓	✓
Front mounted 30" frame and plenum	LDK9 + LDK10				✓
Side mounted grille, two	LDK3	✓	✓	✓	✓
Top mounted outlets	LDK7	✓	✓	✓	✓
Heat canopy, pony wall	2100HSC				✓

REMOTE CONTROL					
Valor 10	GV60SYMAX	✓	✓	✓	✓
Remote Battery and Wall Switch	RBWSK	✓	✓	✓	✓

OPTIONAL					
Steel Framing Kit	2200SFK	✓	✓	✓	2100SFK
Decorative Rock for Driftwood	1506DRK	✓	✓	✓	✓
HEATSPLIT , zone heating	1270RBK	✓	✓	✓	✓

WARNING

This product can expose you to chemicals including Benzene, which is known to the State of California to cause cancer and birth defects or other reproductive harm.

For more information go to www.P65Warnings.ca.gov

valorfireplaces.com



LX2 3-SIDED 2200K
MURANO GLASS 2200DGM
REFLECTIVE GLASS LINER 2200RGL
HEATSHIFT SIDE MOUNTED GRILLES LDK3

BRLX24E MAR


FIREPLACES